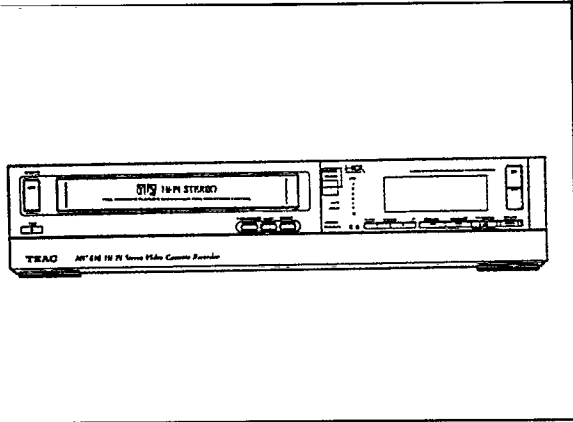


TEAC®



SERVICE MANUAL

MV-616

Hi-Fi Stereo Video Cassette Recorder



CAUTION

⚠ Parts marked with this sign are safety critical components. They must always be replaced with identical components—refer to the appropriate parts list and ensure exact replacement.

ADDENDUM SERVICE MANUAL

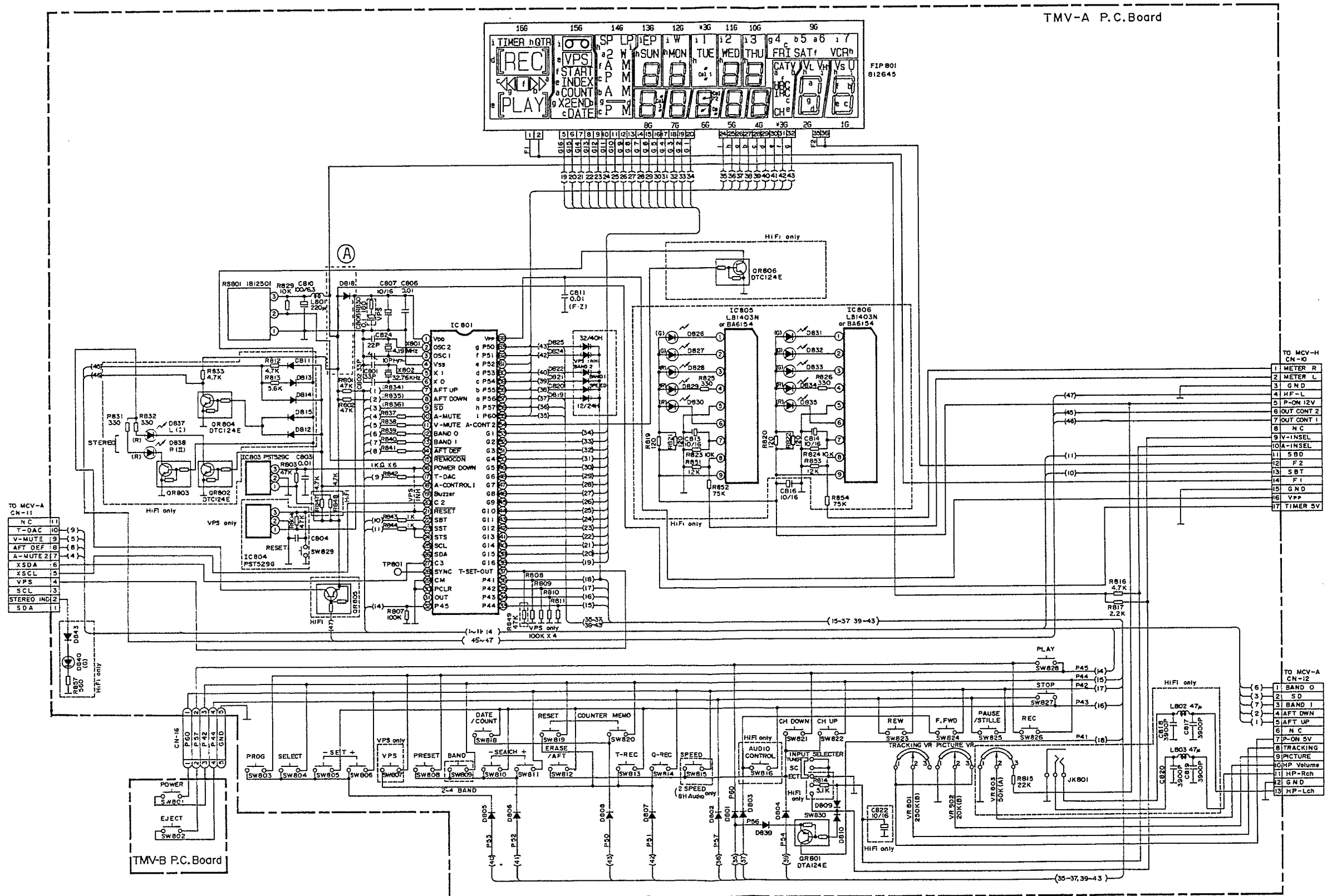
TABLE OF CONTENTS

SCHEMATIC DIAGRAM	2
EXPLODED VIEW (CABINET)	7
EXPLODED VIEW (FRONT)	8
CABINET/FRONT PARTS LIST	9

This ADDENDUM SERVICE MANUAL only lists parts for MV-616 which are different from MV-606.

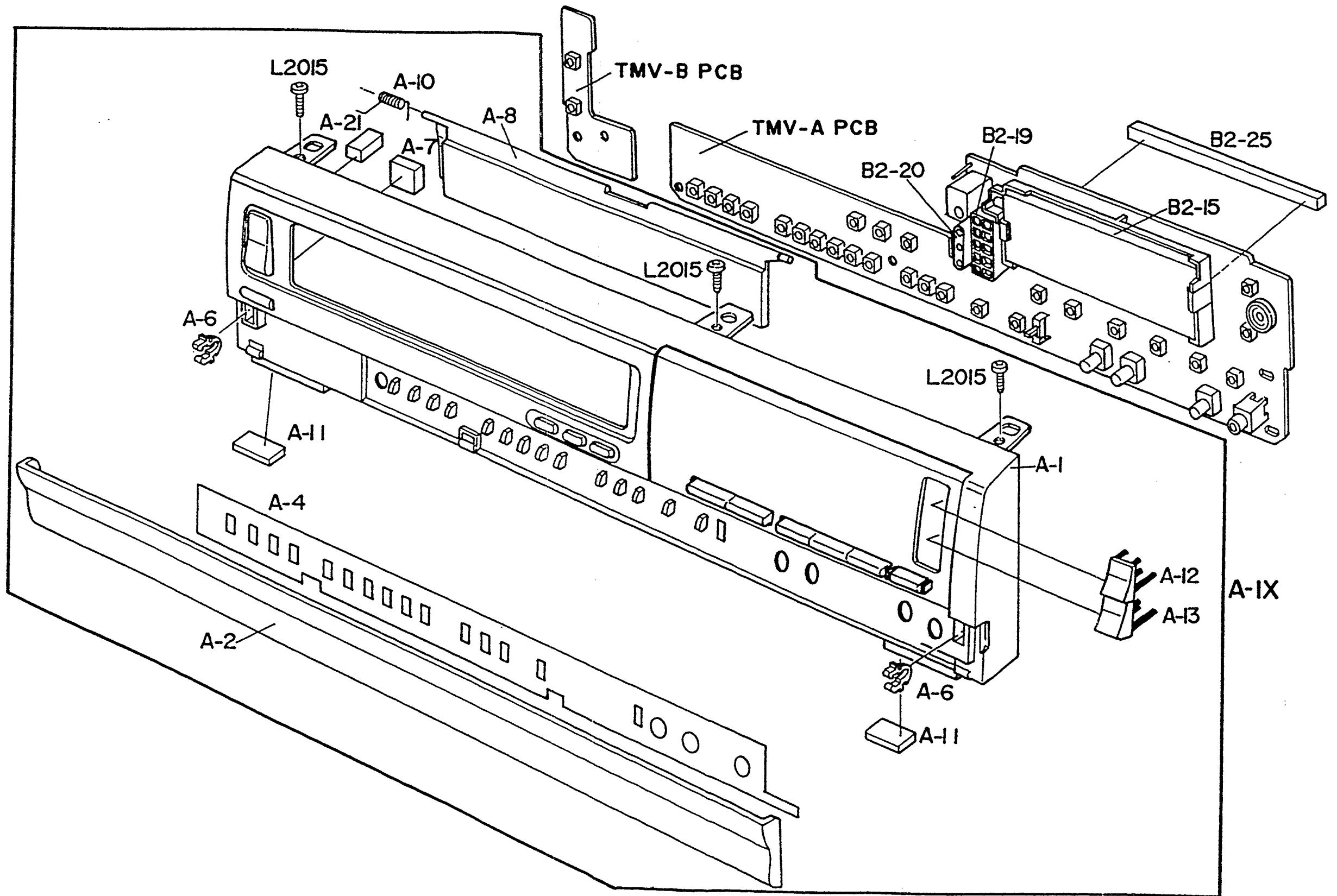
Please refer to MV-606 SERVICE MANUAL on the information which are not informed in this addendum.

7-5. TIMER/CONTROL

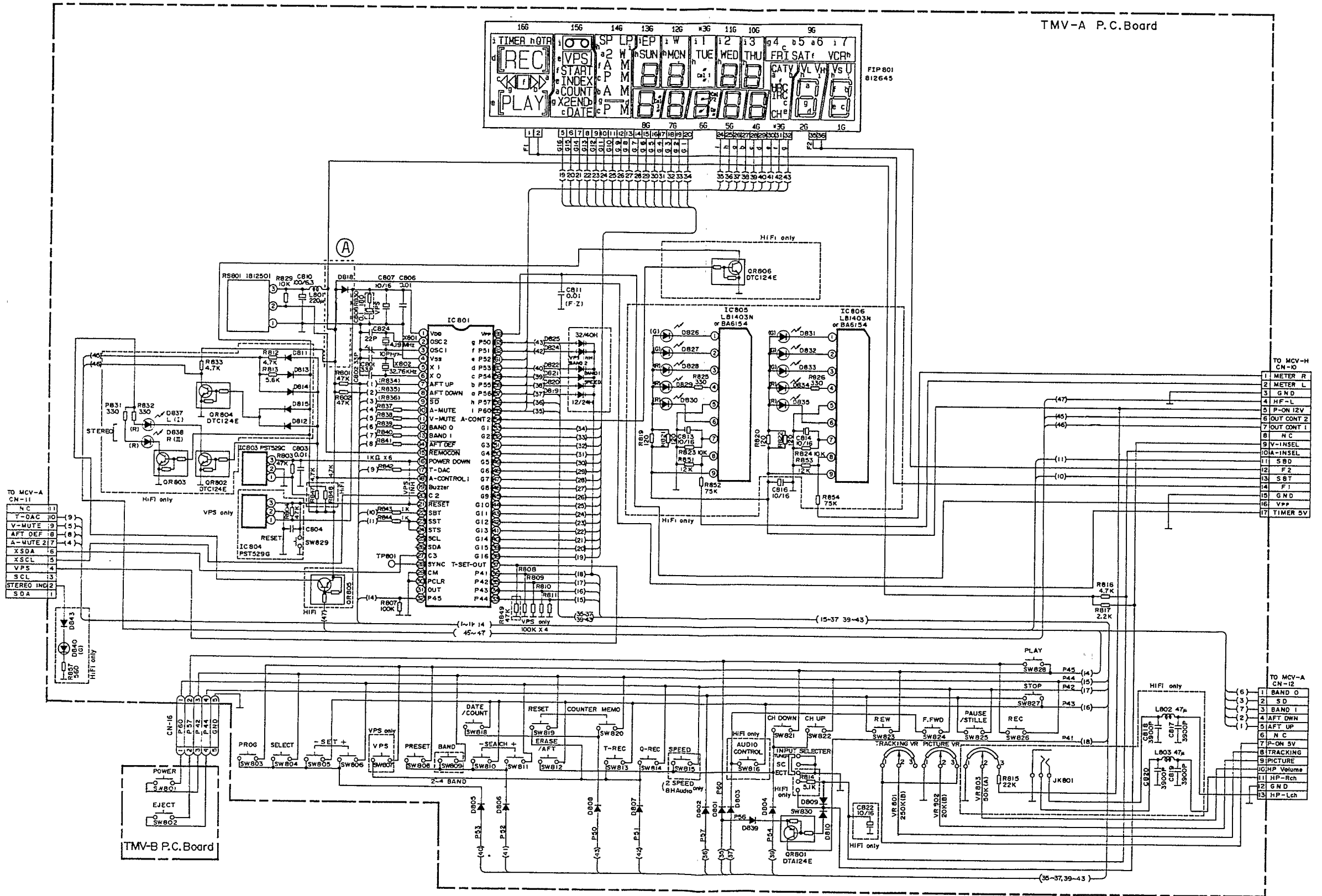


Ⓐ ;w/o VPS is short

EXPLODED VIEW (FRONT)

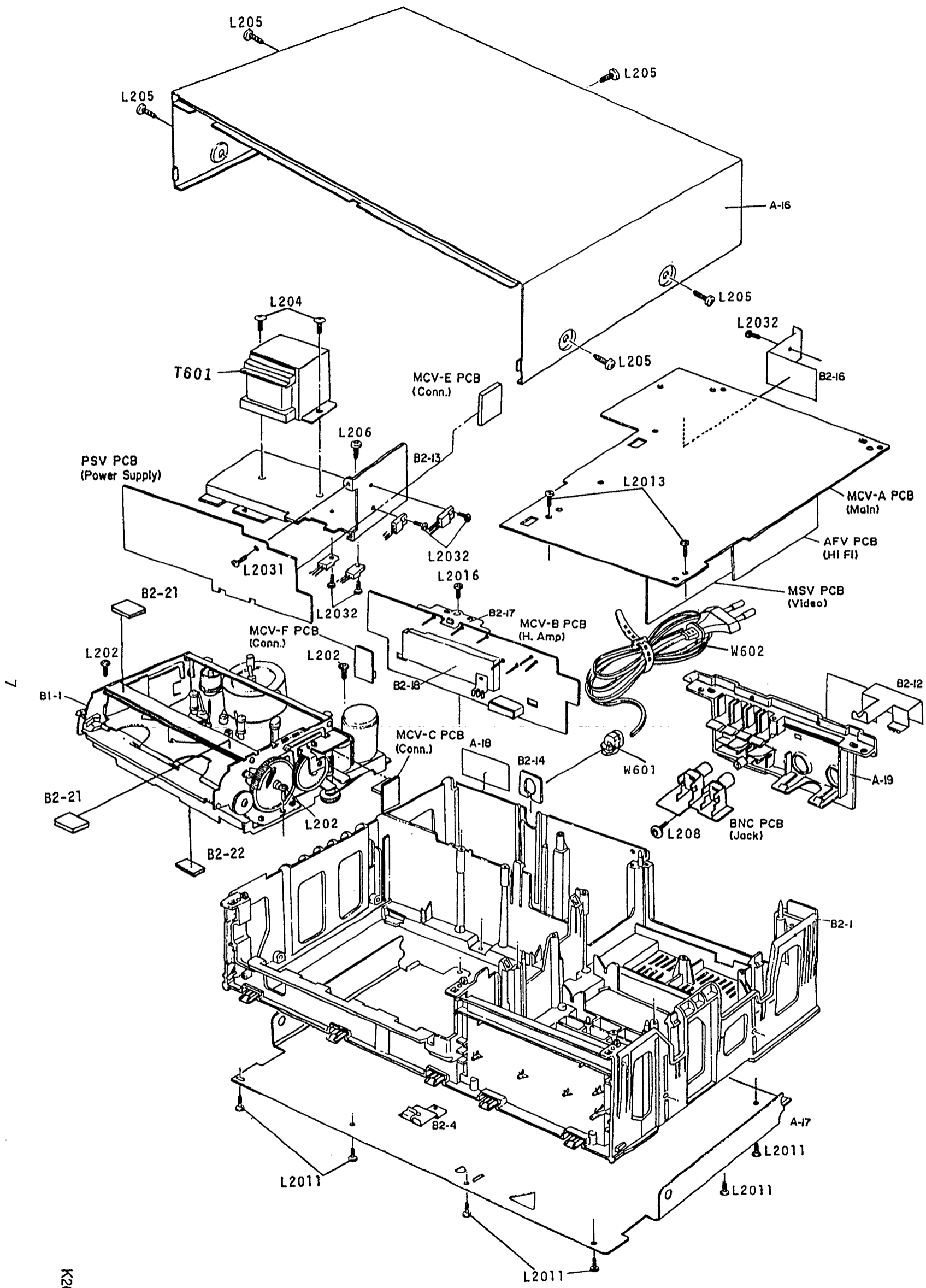


7-5. TIMER/CONTROL



① ;w/o VPS is short

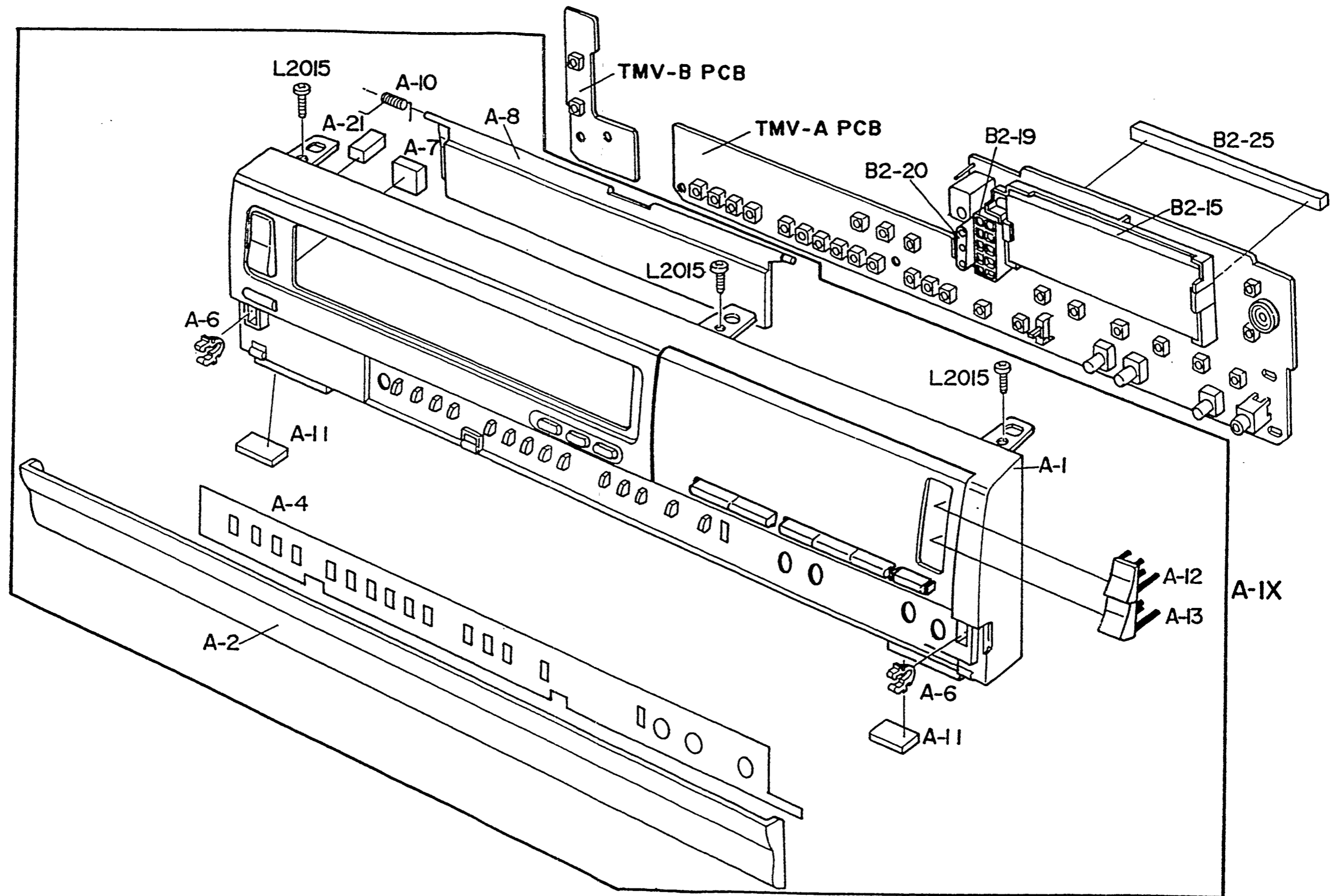
EXPLODED VIEW (CABINET)



EXPLODED VIEWS / PARTS LIST

K2603EX

EXPLODED VIEW (FRONT)



CABINET / FRONT PARTS LIST

EXPLODED VIEW CABINET PARTS LIST

REF. NO.	PARTS NO.	DESCRIPTION	REMARKS
A-16	*9A02640200	CASE, TOP K2600	
A-17	*9A02640500	PANEL, BOTTOM VDI 405	
A-18	*9A02640700	LABEL, RATING	
A-19	*9A02647300	JACK BOARD, K2600E9	
B1-1	*9A02642200	DECK ASSY, (MV-606)	
B2-1	*9A02640300	CHASSIS, K2600	
B2-4	*9A01107100	GROUND PLATE, PCB	
B2-12	*9A02640400	PLATE, GROUND (UI)	
B2-13	*9A02653200	HEAT SINK, K2600	
B2-14	*9A02527000	STOPPER HOLDER, (B) VD5853	
B2-16	*9A01107400	HEAT SINK, VD7744	
B2-17	*9A01760000	PLATE, SHIELD (BOTTOM)	
B2-18	*9A02645200	SHIELD, TOP ASSY	
B2-21	*9A02532900	SPACER, DECK S2190	
B2-22	*9A02563700	CUSHION, K2600	
T601	! 9A02653100	TRANS, T0065	
W601	! 9A00063500	STOPPER, AC CORD	
W602	! 9A00521400	AC CORD	
W602	! 9A01439500	AC CORD	
MCA-A	- - - - -	MCV-A PCB ASSY, (MV-606)	
MCA-B	- - - - -	MCV-B PCB ASSY, (MV-606) *9A02642700 MCV PCB ASSY, (MV-606)
MCV-C	- - - - -	MCV-C PCB ASSY, (MV-606) " (Consists of MCV-A, B, C, E, F)
MCV-E	- - - - -	MCV-E PCB ASSY, (MV-606) " "
MCV-F	- - - - -	MCV-F PCB ASSY, (MV-606) " "
AFV	*9A02644900	AFV PCB ASSY, (MV-606)	
MSV	*9A02645000	MSV PCB ASSY, (MV-606)	
BNC	*9A02645100	BNC PCB ASSY, (MV-606)	
PSV	*9A02642800	PSV PCB ASSY, (MV-606)	
L202	9A02515400	SCREW, P-TI. BRAZ FLANGE 3X10	
L204	9A00736100	SCREW, CE-TIGHT M4X8	
L204	9A01107900	SCREW, C-T. M4X8 (TRANS)	
L205	9A02545700	SCREW, P-TIG, BIND HEAD 4X12	
L206	9A02545800	SCREW, P-TI. BIND HEAD 4X12	
L208	9A00046400	SCREW, P-T. FRANGED M3X8	
L2011	9A02515600	SCREW, P-TI. BIND HEAD, 3X10	
L2013	9A02515600	SCREW, P-TI. BIND HEAD, 3X10	
L2016	9A02515600	SCREW, P-TI. BIND HEAD, 3X10	
L2031	9A02515700	SCREW, TAPP. BIND HEAD 3X10	
L2032	9A02515700	SCREW, TAPP. BIND HEAD 3X10	

Parts marked with *require longer delivery time

EXPLODED VIEW FRONT PARTS LIST

REF. NO.	PARTS NO.	DESCRIPTION	REMARKS
A-1X	*9A03731100	FRONT ASSY, (MV-616)	
A-1	*9A03731200	FRONT PANEL ASSY, (MV-616)	
A-2	*9A03731300	DOOR, TIMER	
A-4	*9A02641000	PLATE, TIMER K2602AA	
A-6	*9A01106200	LATCH,	
A-7	*9A02513700	CUSHION, DOOR	
A-8	*9A02641100	DOOR, CASSETTE	
A-10	*9A02513600	SPRING, DOOR	
A-11	*9A00474600	FOOT,	
A-12	*9A02641200	BUTTON, PLAY K2602AA	
A-13	*9A02641300	BUTTON, PLAY K2602AA	
A-21	*9A02513800	SPACER,	
B2-15	*9A02643400	HOLDER, F.I.P. K1900	
B2-19	*9A02564100	HOLDER, L.E.D.(L)	
B2-20	*9A02564200	HOLDER, L.E.D.(M)	
B2-25	*9A02643700	CUSHION, PCB VD40235	
TMV-A, B	*9A02642600	TMV PCB ASSY, (MV-606)	
L2015	9A02515600	SCREW, P-TI. BIND HEAD, 3X10	

INCLUDED ACCESSORIES PARTS LIST

REF. NO.	PARTS NO.	DESCRIPTION	REMARKS
	*9A03728800	REMOCON BOX, EUR-651350	
	*9A03731000	OWNER'S MANUAL, (MV-616)	
	9A02343100	BATTERY	
	9A02561900	DRY BATTERY	
	9A03512500	RF CORD, PAL 1.2M	

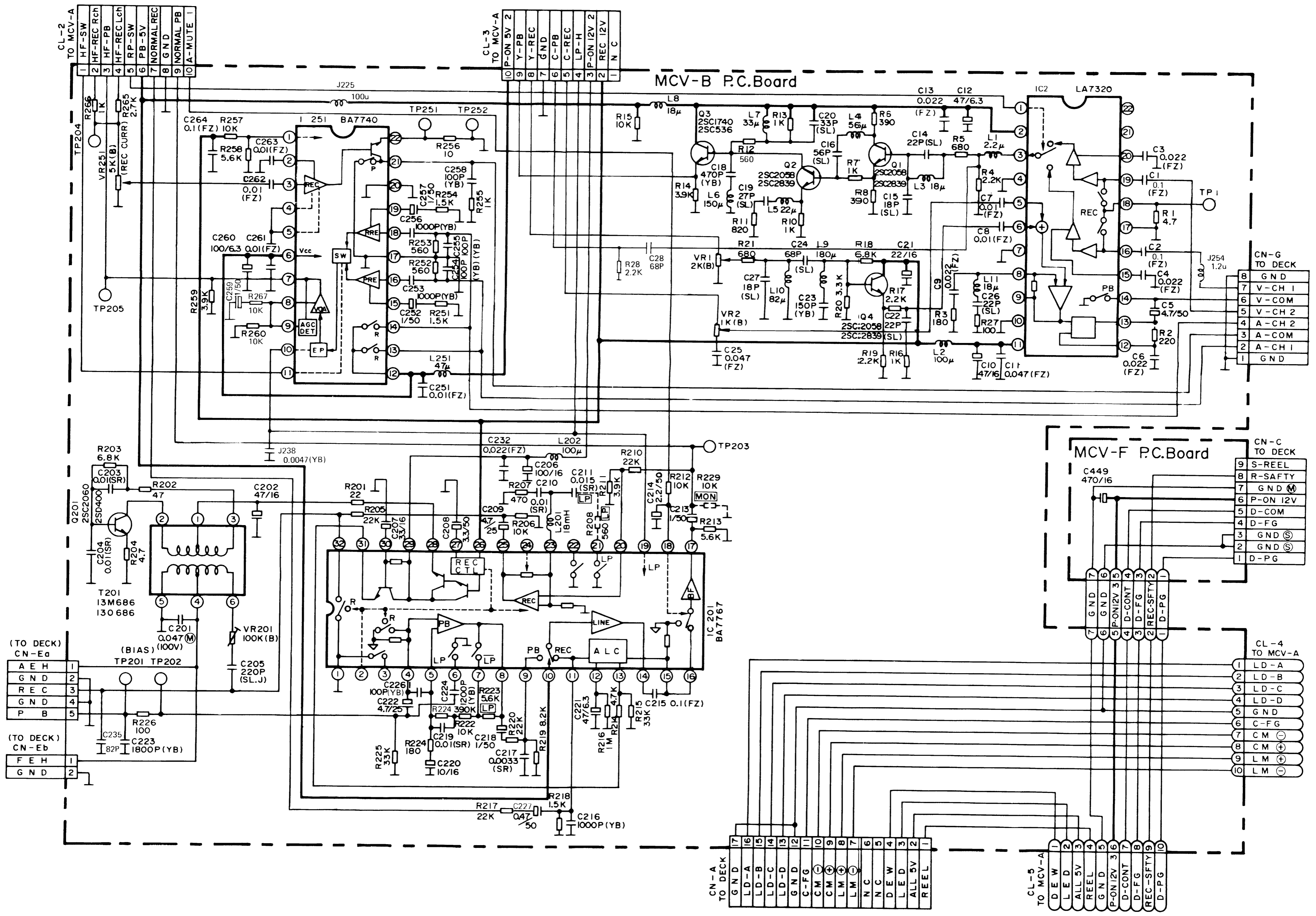
Parts marked with *require longer delivery time

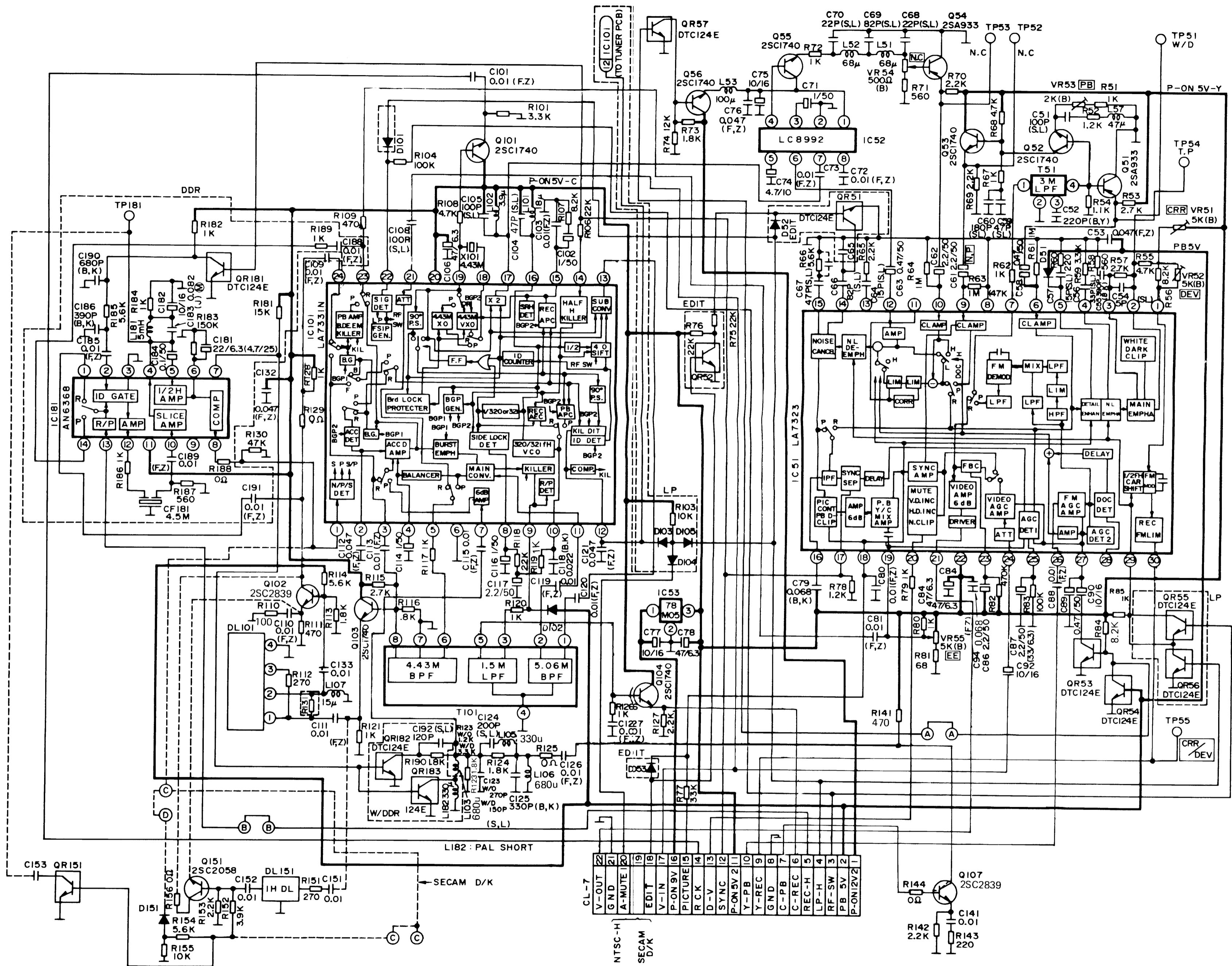
MV-616

TEAC®

TEAC CORPORATION	Musashino Center Bldg., 1-19-18, Nakacho, Musashino-shi, Tokyo 180, Japan Phone: (0422) 52-5081
TEAC AMERICA, INC.	7733 Telegraph Road, Montebello, California 90640 Phone: (213) 726-0303
TEAC CANADA LTD.	340 Brunel Road, Mississauga, Ontario L4Z 2C2, Canada Phone: 416-890-8008
TEAC UK LIMITED	5 Marlin House, Marlins Meadow, The Croxley Centre, Watford, Herts. WD1 8YA, U.K. Phone: 0923-225235
TEAC DEUTSCHLAND GmbH	Bahnstrasse 12, 6200 Wiesbaden-Erbenheim, Germany Phone: 0611-71580
TEAC FRANCE S.A.	17, Rue Alexis-de-Tocqueville, CE 005 92182 Antony Cedex, France Phone: (1) 42.37.01.02
TEAC BELGIUM NV/SA	143C Woluwelaan, 1831 Machelen-Diegem, Belgium Phone: (02) 725 6555
TEAC NEDERLAND BV	Perkinsbaan 11, 3439 ND Nieuwegein, Nederland Phone: 03-402-30229
TEAC AUSTRALIA PTY., LTD. A.C.N. 005 408 462	106 Bay Street, Port Melbourne, Victoria 3207, Australia Phone: (03) 646-1733

HEAD AMP/AUDIO





NTSC-H: NTSC-H Model Only
 SECAM D/K: SECAM D/K Model Only
 EDIT: EDIT Model Only
 LP: LP Model Only
 DDR: ME SECAM Model Only

